

PRO-8800-B PRO-8800-N

► **Description**

In-the-wall Mounted, Electronic, Sensor Activated Flush Valve for Wash-down Water Closets.

► **Model**

- PRO-8800-B Battery Powered
- PRO-8800-N 6 VDC Transformer Powered

► **Flush Cycle**

- Factory set: 6 liters per flush

► **Specifications**

In-Wall, 6 VDC, Sensor Activated Flush Valve with the following features:

- Active Infrared Sensor
- Impulse Solenoid Operator
- Fully enclosed Housing protects Valve and Electronics
- Aesthetically contoured matte and polished chrome Two-piece Wall Plate with no visible fasteners
- Front Panel access for easy maintenance
- Infrared Sensor Range Adjustment Screw
- Filtered Solenoid Valve with serviceable Strainer Filter
- Integral Adjustable Valve shut-off
- 1¼" Straight Pipe Connection Inlet/Outlet
- Four (4) Size AA Batteries included
- "Low Battery" Flashing LED
- Selectable 24 Hour Sentinel Flush (field set)

Available with the following options:

- Courtesy Flush™ Override Button
- 6 VDC Transformer for hard wire installation
- Cam Lock and Key to secure Wall Plate to frame

► **Variations**

- OR** Override Push Button
- LK** Cam Lock and Key

► **Special Finishes**

- SF** Satin Chrome
- CP** Chrome Plate

Consult Factory for Other Finish Variations.

► **Accessories**

- 765-079** Transformer (220 VAC/6 VDC)



PRO-8800
In-wall Electronic Sensor
Flush Valve for
Wash-down Water Closets
(Model PRO-8800-OR shown)

► **Automatic**

Sloan OPTIMA equipped Closets provide the ultimate in sanitary protection and automatic operation. There are no handles to trip or buttons to push. The Closet operates by means of an infrared sensor. Once the user enters the sensor's effective range and then steps away, the Solenoid initiates the flushing cycle to flush the fixture.

► **Hygienic**

User makes no physical contact with the Valve surface except to initiate the Override Button when required. Helps control the spread of infectious diseases. Field selectable Twenty-four Hour Sentinel Flush keeps fixture fresh during periods of nonuse.

► **Economical**

Automatic operation provides water usage savings over other flushing devices. Reduces maintenance and operation costs.

► **Practical**

Solid state electronic circuitry assures years of dependable, trouble-free operation.

► **Warranty**

3 year (limited)

This space for Architect/Engineer approval	
Job Name _____	Date _____
Model Specified _____	Quantity _____
Variations Specified _____	
Customer/Wholesaler _____	
Contractor _____	
Architect _____	

PRO-8800-B PRO-8800-N

Description

In-the-wall Mounted, Electronic, Sensor Activated Flush Valve for Wash-down Water Closets.

Model

- PRO-8800-B Battery Powered
- PRO-8800-N 6 VDC Transformer Powered

OPERATING SPECIFICATIONS

Control Circuit

6 VDC — operates on four (4) alkaline AA-size batteries.
24 Hour Sentinel Flush (field set)

OPTIMA Sensor Type

Active Infrared

OPTIMA Sensor Range

Nominal 350 mm - 900 mm (13-3/4" - 35-7/16"), adjustable ± 254 mm (10")

Solenoid Valve

6 VDC with Integral Strainer Filter & 1 1/4" Straight Pipe Connection Inlet/Outlet.

Indicator Lights

Range Adjustment/Low Battery

Battery Life

2 years at 4,000 cycles/month

Transformer

220 VAC/6 VDC

Operating Pressure Range

21 - 689 kPa (3 - 100 psi)
(0.2 - 6.89 Bar)

Flush Cycle

Factory set: 6 liters per flush
Adjustable: Flush Time Switch

Flush Discharge:

2.0 Lpf (0.5 gpf) @ 6 seconds (Measured @ 165 kPa/24 psi)
Volume adjustable by changing cycle time, pressure or flow rate

Sentinel Flush

Automatic flush Once every 24 Hours after the last flush

OPTIONS

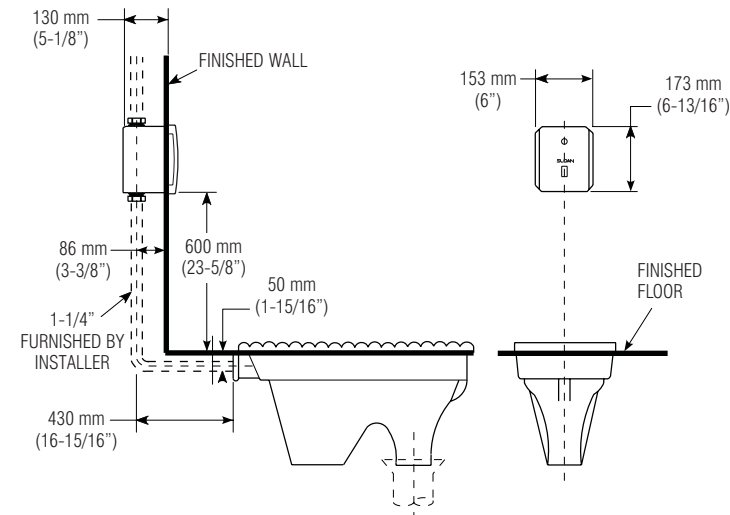


Override Button
PRO-8800-OR

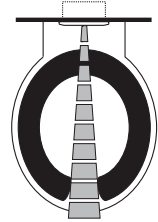
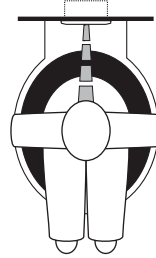


Cam Lock
PRO-8800-LK

ROUGH-IN



OPERATION

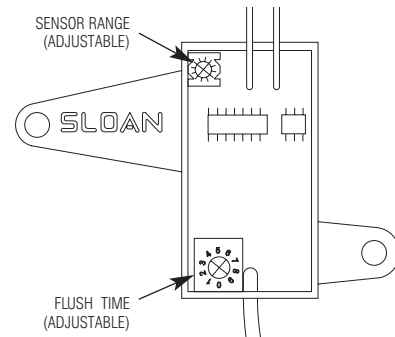


1. When a user enters the sensing range for 8 seconds, the flush valve automatically activates and prepares to flush (if less than 8 seconds, no effect).

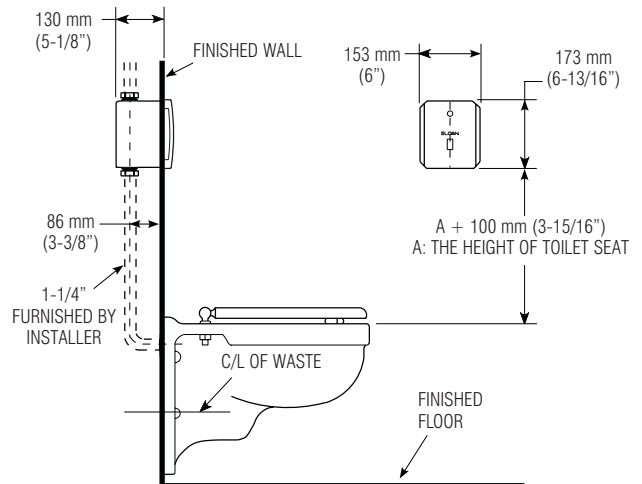
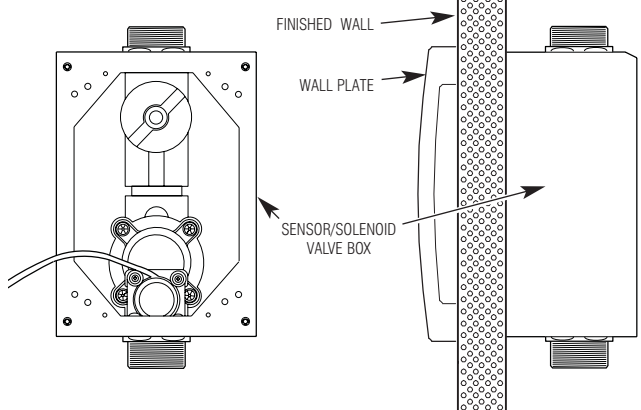
2. When the user steps away, the flush valve automatically activates after 3 - 5 seconds. If the using time is less than 35 seconds, the volume of water is low; if more than 35 seconds, the volume of water is comparatively high.

SETTING LOCATIONS

(Located on Back of Sensor)



WALL BOX INSTALLATION



SLOAN VALVE COMPANY • 10500 SEYMOUR AVENUE • FRANKLIN PARK, IL 60131

Phone: 1-800-9-VALVE-9 or 1-847-671-4300 • Fax: 1-800-447-8329 or 1-847-671-4380 • www.sloanvalve.com