

EZSET® 100EA series (GRADE 2) COMMERCIAL CYLINDRICAL LOCK

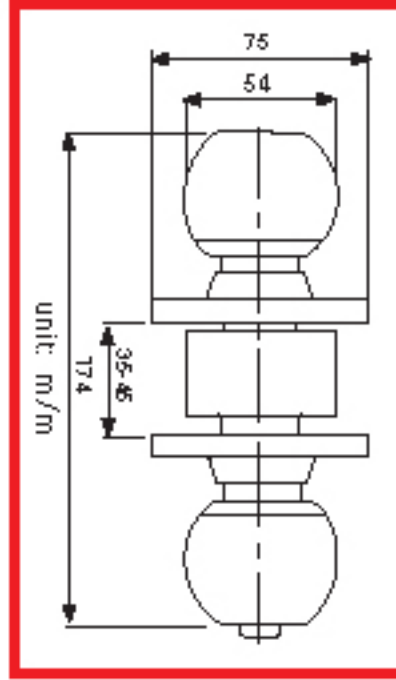


100EA-B A-US32D

BALA (BA)

ENTRY

SATIN STAINLESS STEEL (US32D)



Visual Pack

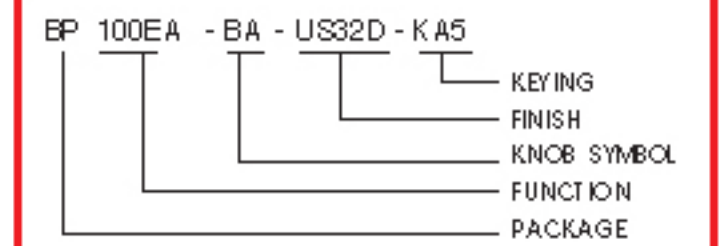
Each lock double blister packed,
10 locks per carton, 1.40 cu.ft.



Box Pack

Each lock in a printed box,
20 locks per carton, 1.35 cu.ft.

Ordering Information



FUNCTION

CODE	DESCRIPTION
100EA	ENTRY
101EA	PASSAGE
102EA	PRIVACY
104EA	STOREROOM
105EA	DUMMY - 1 THRU BOLT
106EA	PAI/O
107EA	DOUBLE CYLINDER

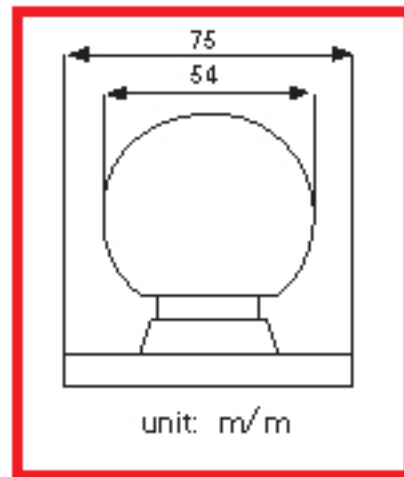
FUNCTION

CODE	DESCRIPTION
108EA	DOUBLE CYLINDER
109EA	CLASS ROOM
110EA	HOTEL
111EA	COMMUNICATING-KEY
115EA	DUMMY - 2 SCREWS
116EA	DUMMY - 2 SCREWS (2 SIDES)

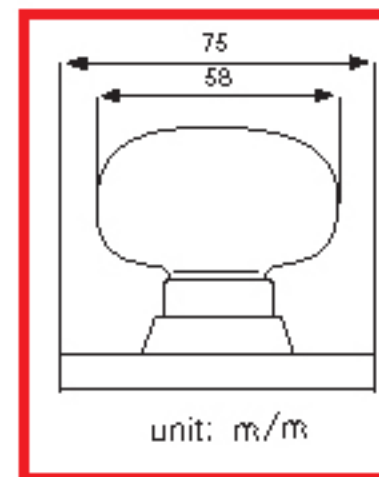
KNOB DESIGN

CODE	DESCRIPTION
SN	SUTTON
BA	BALA
OS	OLYMPUS

FINISH AVAILABILITY: US3, US3, US36, US26D



BALA (BA)
SATIN STAINLESS
STEEL (US32D)

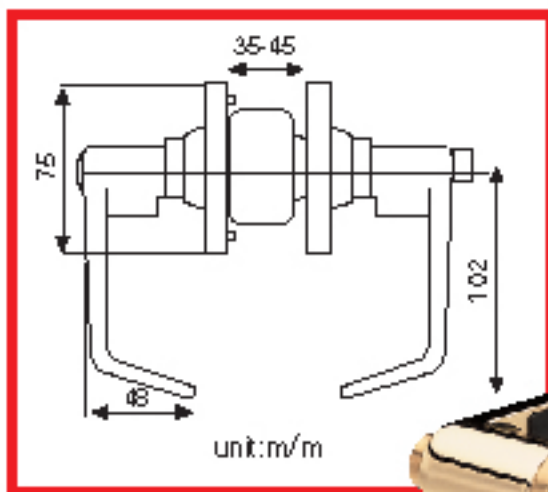


OLYMPUS (OS)
POLISHED BRASS (US3)

EZSET®

500EL & 500EM series

(GRADE 2) COMMERCIAL CYLINDRICAL LOCK

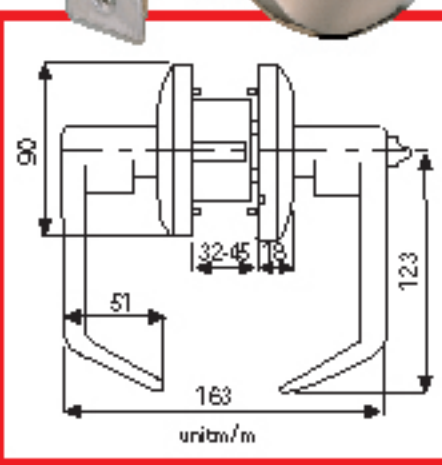
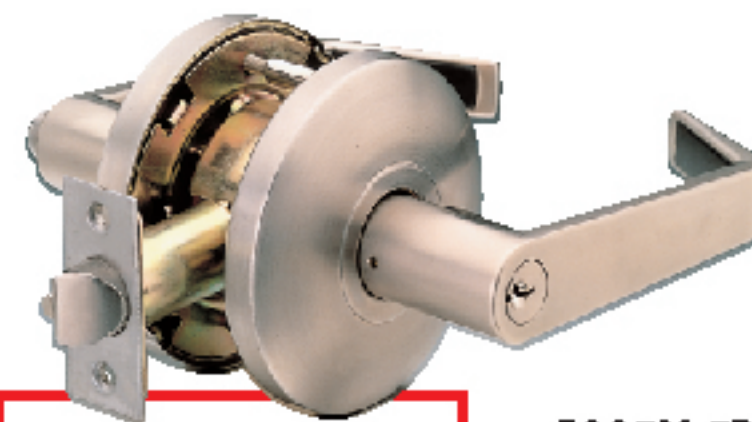
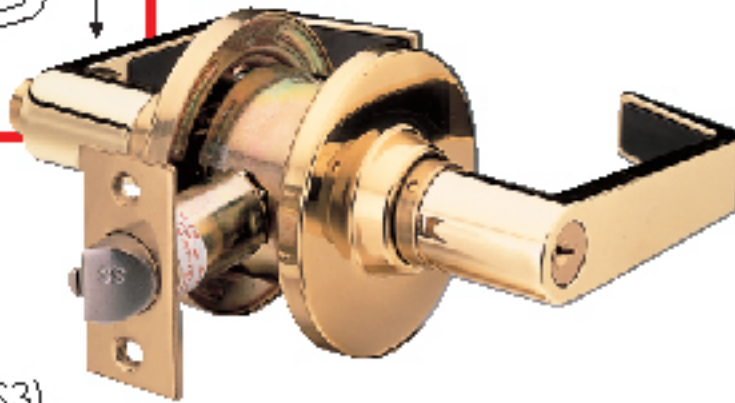


500EL-CT-US3

CHARLOTTE (CT)

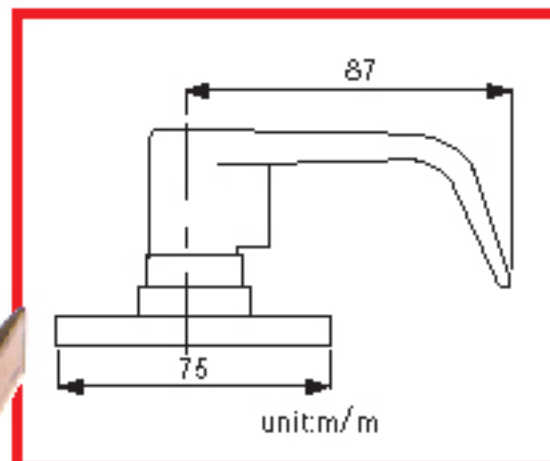
ENTRY

POLISHED BRASS (US3)



500EM-EP-US26D

EMPIRE (EP) ENTRY
SATIN STAINLESS STEEL
(US26D)



LEGACY (LG)
POLISHED BRASS (US3)



Box Pack

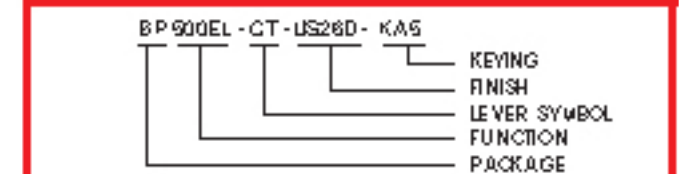
Each lock in a printed box,
10 locks per carton, 1.49 cu.ft.



Visual Pack

Each lock double blister packed,
10 locks per carton, 1.40 cu.ft.

Ordering Information

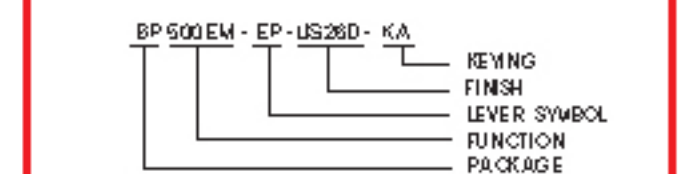


FUNCTION

CODE	DESCRIPTION	CODE	DESCRIPTION
500EA	ENTRY	500EL	COMMUNICATING-KEY
501EL	PASSAGE	500EL	DOUBLE CYLINDER
502EL	PRIVACY	500EL	CLASS ROOM
503EL	STOREROOM	511EL	COMMUNICATING-KEY
505EL	DUMMY - 1 SCREW	515EL	DUMMY-2 SCREWS
506EL	PA/O	516EL	DUMMY-2 SCREWS (2 SIDES)

FUNCTION

CODE	DESCRIPTION	FINISH AVAILABILITY
LG	LEGACY	US3, US3, US10, US16, US11, US26, US26D
CT	CHARLOTTE	



FUNCTION

CODE	DESCRIPTION	CODE	DESCRIPTION
500EA	ENTRY	500EL	COMMUNICATING-KEY
501EL	PASSAGE	500EL	DOUBLE CYLINDER
502EL	PRIVACY	500EL	CLASS ROOM
503EL	STOREROOM	511EL	COMMUNICATING-KEY
505EL	DUMMY - 1 SCREW	515EL	DUMMY-2 SCREWS
506EL	PA/O	516EL	DUMMY-2 SCREWS (2 SIDES)

FINISH AVAILABILITY: US3, US3, US10, US16, US11, US26, US26D